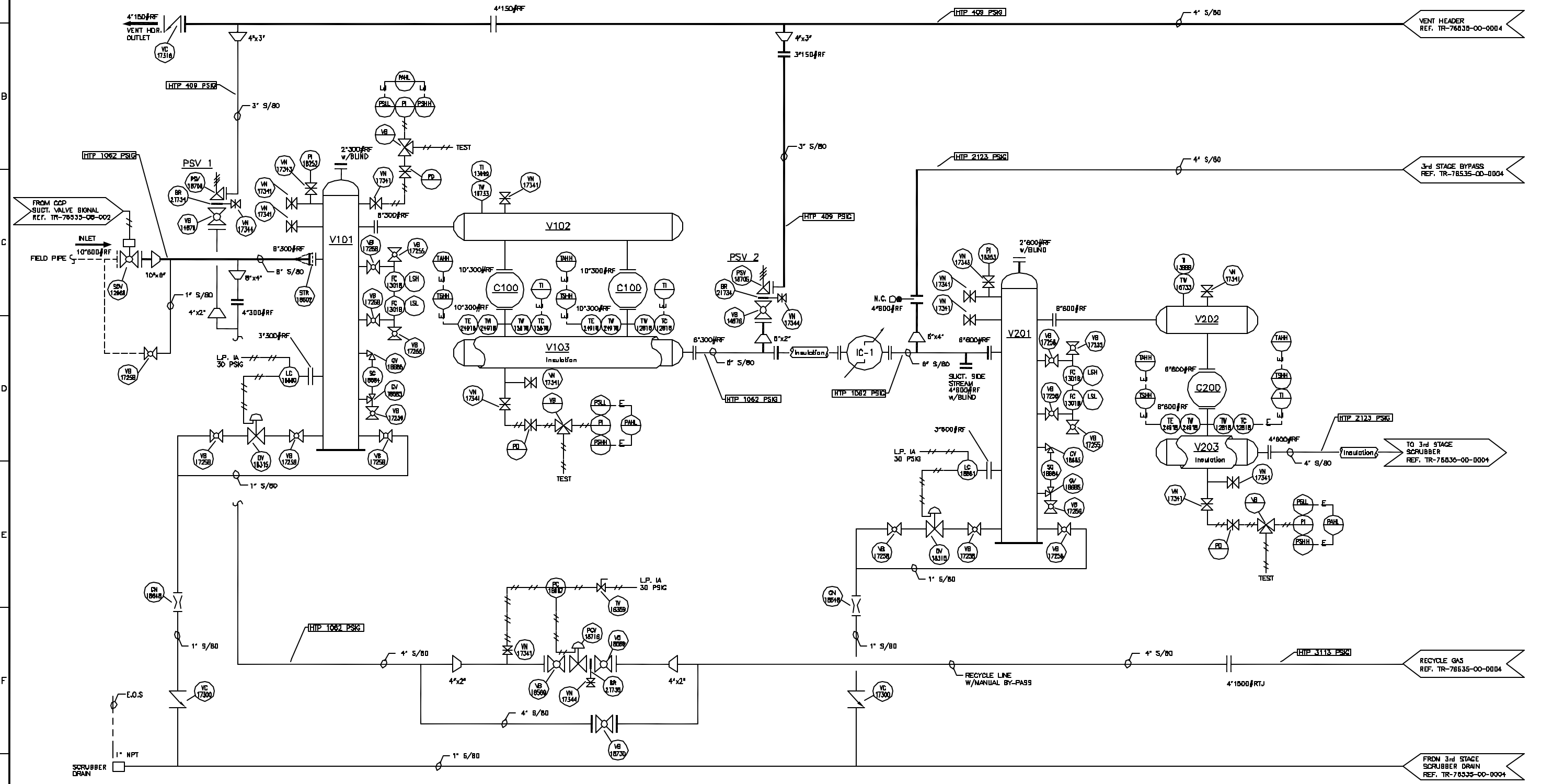


V101	V102	V103	V201	V202	V203	IC-1	C100 (2)	C200	PSV 1	PSV 2
VESSEL O.D. 30"	VESSEL O.D. 18"	VESSEL O.D. 18"	VESSEL O.D. 24"	VESSEL O.D. 18"	VESSEL O.D. 14"	DESIGN PRESS. 655 PSIG	CYLINDER 14 1/2"	CYLINDER 9 5/8"	SET 420	SET 425
SEAM/SEAM 7'-0"	SEAM/SEAM 5'-6"	SEAM/SEAM 8'-8"	SEAM/SEAM 7'-0"	SEAM/SEAM 2'-0"	SEAM/SEAM 2'-0"	DESIGN TEMP. 300 °F	BORE SIZE 13.023"	BORE SIZE 9.625"	INLET SIZE 2" 3/4"	INLET SIZE 2" 3/4"
NOM. WALL 0.750"	NOM. WALL 0.500"	NOM. WALL 0.500"	NOM. WALL 0.500"	NOM. WALL 0.500"	NOM. WALL 0.500"	ASME RATING 8" 300# RF	R.D.P. (PSIG) 380	R.D.P. (PSIG) 320	OUTLET SIZE 3" 1/2"	OUTLET SIZE 3" 1/2"
DESIGN PRESS. 700 PSIG	DESIGN PRESS. 830 PSIG	DESIGN PRESS. 830 PSIG	DESIGN PRESS. 880 PSIG	DESIGN PRESS. 880 PSIG	DESIGN PRESS. 1282 PSIG	* FACT	MAMP (PSIG) 420	MAMP (PSIG) 300		
DESIGN TEMP. 150 °F	DESIGN TEMP. 150 °F	DESIGN TEMP. 330 °F	DESIGN TEMP. 150 °F	DESIGN TEMP. 150 °F	DESIGN TEMP. 350 °F					
SERIAL NO. 31-241	SERIAL NO. 31-244	SERIAL NO. 31-245	SERIAL NO. 31-242	SERIAL NO. 31-245	SERIAL NO. 31-247					
NAT'L. BD. NO. 19	NAT'L. BD. NO. 22	NAT'L. BD. NO. 23	NAT'L. BD. NO. 20	NAT'L. BD. NO. 21	NAT'L. BD. NO. 25					



**TAG IDENTIFICATION**

- (X) IDENTIFICATION ABBREVIATION
- ( ) BLANK INDICATES EXISTING.
- (X) IDENTIFICATION ABBREVIATION
- (X) BANN NUMBER INDICATES NEW.

DWG NUMBER	DESCRIPTION	REV.	DESCRIPTION	DATE	BY	CHK
REFERENCE DRAWINGS						
REVISIONS						

**TOLERANCES**

CUTS ±1/8"  
 ANGLES ±1/2°  
 WELD ASS'Y. ±1/4"

PROV. NO.  
 PROD. LD.

THIS DRAWING IS THE PROPERTY OF HANOVER AND IS NOT TO BE USED FOR ANY PURPOSE OTHER THAN THAT FOR WHICH IT IS SPECIFICALLY FURNISHED.

Edited by Jecott  
 Jun 29, 2009 - 5:02pm  
 File Name: TR-76535-00-0004.dwg

**THE HANOVER COMPANY**  
 HANOVER TANNER ROAD  
 11302 Tanner Road  
 Houston, Texas 77041  
 (713) 485-0980

CUSTOMER					
TITLE					
OFFSHORE PROCESS GAS P&ID					
2/3 STAGE SYSTEM					
DRAWN	SCALE	DATE	UNIT NO.	REVISION	
J.E. ADAMS	NTS	11/13/03	76535	0	
S.D. NO.	APPROVED NO.	REV'D SHY. NO.	DATE	DRAWING NO.	
	1	1		TR-76535-00-003	